

LAZER

HIGH PERFORMANCE LIGHTING

TRIPLE-R 4 ('750') ELITE2



Utilising high intensity LEDs, coupled with sophisticated component technology, the Triple-R 4 (or '750') Elite2 delivers exceptional luminosity for such a small unit – 1 lux at 510m from a product weighing just 780 grams. Compared to the equivalent 'Standard' product the Elite2 delivers more distance illumination, with a distribution of light that has been carefully optimised to still give good spread of light in the mid-long range. E-mark approval ensures this product always exceeds expectations whether at the track, or on public roads.



100m 200m 300m



ULTRA LONG-RANGE LED DRIVING LAMPS

TRIPLE-R

TRIPLE-R 4 ('750') ELITE2



- Ultra long-range optics optimised for road and race applications
- High intensity LED's deliver exceptional luminosity
- Triple-R Charged Air Cooling System™
- CAE optimised heatsink
- Electronic thermal management
- 'Unbreakable' polycarbonate lens
- Innovative design and unique styling



ALSO AVAILABLE IN TITANIUM

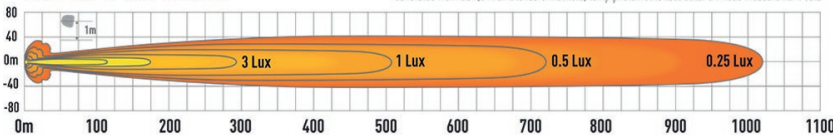
TECHNICAL SPECIFICATIONS



E-MARK REF	30
VOLTAGE RANGE	9V - 32V
RAW LUMENS	4510
BEAM PATTERN	Spot
OPTICAL EFFICIENCY	92%
BEAM DISTANCE (0.25LX)	1020m
# HIGH POWER LEDs	4
POWER CONSUMPTION	46 Watts
CURRENT DRAW†	3.2 Amps
LED LIFE	50,000 Hrs*
WEIGHT	780g

TRIPLE-R 750 ELITE2

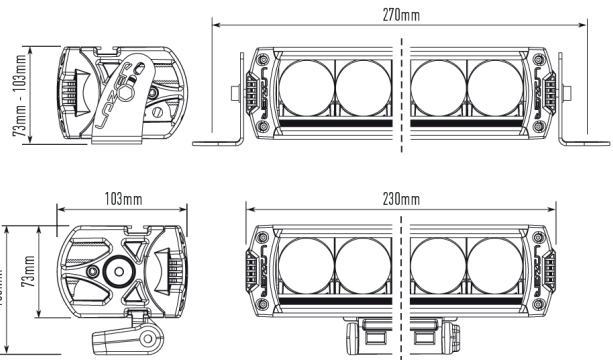
Generated from BSI (British Standard Institute) lamp photometric test data: On Road measurement data



MOUNTING OPTIONS:



(Side Bracket kit sold separately)



* LED Manufacturers Specifications †At 14.4 Volts

LAZER LAMPS LTD

Units 1+2, Harlow Mill Business Centre, Riverway, Harlow, Essex. CM20 2FD. UK

Tel: +44(0)1992 677374

Email: sales@lazerlamps.com

www.lazerlamps.com

LAZER

HIGH PERFORMANCE LIGHTING

